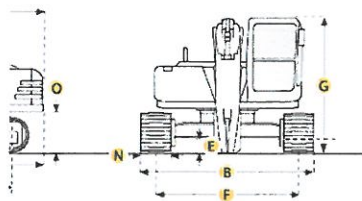
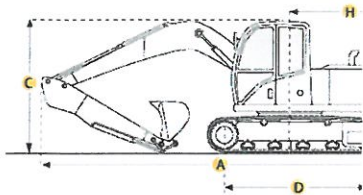






TATA HITACHI EX350 LCH HYDRAULIC EXCAVATOR



Boom/Stick Option

Boom/Stick Option (HEX) 1 ▾

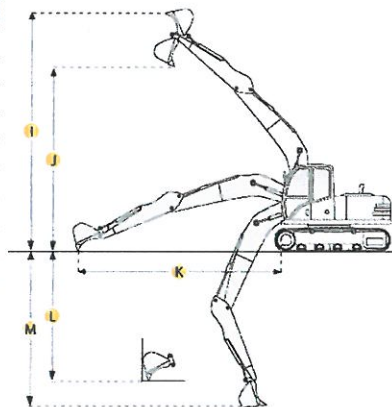
I. MAX CUTTING HEIGHT	31.5 ft in	9614 mm
J. MAX LOADING HEIGHT	21.8 ft in	6650 mm
K. MAX REACH ALONG GROUND	33 ft in	10050 mm
L. MAX VERTICAL WALL DIGGING DEPTH	15.6 ft in	4755 mm
M. MAX DIGGING DEPTH	21.7 ft in	6606 mm

Dimensions

B. WIDTH TO OUTSIDE OF TRACKS	10.5 ft in	3190 mm
D. LENGTH OF TRACK ON GROUND	13.3 ft in	4050 mm
E. GROUND CLEARANCE	1.6 ft in	500 mm
G. HEIGHT TO TOP OF CAB	10.3 ft in	3130 mm
H. TAIL SWING RADIUS	10.8 ft in	3300 mm
O. COUNTERWEIGHT CLEARANCE	3.8 ft in	1160 mm

Undercarriage

F. TRACK GAUGE	8.5 ft in	2590 mm
N. SHOE SIZE	23.6 in	600 mm



TATA HITACHI EX350 LCH HYDRAULIC EXCAVATOR

Specification

Engine

MAKE	Isuzu	
MODEL	B-65D1T	
GROSS POWER	226.6 hp	169 kw
POWER MEASURED @	1900 rpm	
DISPLACEMENT	600.5 cu in	9.8 L
TORQUE MEASURED @	1600 rpm	
NUMBER OF CYLINDERS	6	
ASPIRATION	turbocharged	

Operational

OPERATING WEIGHT	74957.2 lb	34000 kg
FUEL CAPACITY	147.9 gal	560 L
COOLING SYSTEM FLUID CAPACITY	10.3 gal	39 L
HYDRAULIC SYSTEM FLUID CAPACITY	84.5 gal	320 L
ENGINE OIL CAPACITY	9.2 gal	35 L
SWING DRIVE FLUID CAPACITY	4.5 gal	17 L
OPERATING VOLTAGE	24 V	
HYDRAULIC SYSTEM RELIEF VALVE PRESSURE	4978.2 psi	34323.4 kPa
HYDRAULIC PUMP FLOW CAPACITY	137.4 gal/min	520 L/min

Swing Mechanism

SWING SPEED	11.3 rpm
-------------	----------

Undercarriage

NUMBER OF SHOES PER SIDE	48	
SHOE SIZE	23.6 in	600 mm
NUMBER OF CARRIER ROLLERS PER SIDE	2	
NUMBER OF TRACK ROLLERS PER SIDE	9	
GROUND PRESSURE	9.1 psi	62.7 kPa
MAX TRAVEL SPEED	3.4 mph	5.5 km/h
TRACK GAUGE	8.5 ft in	2590 mm

Buckets

REFERENCE BUCKET CAPACITY	2 yd ³	1.5 m ³
MINIMUM BUCKET CAPACITY	1.7 yd ³	1.3 m ³
MAXIMUM BUCKET CAPACITY	2.5 yd ³	1.9 m ³

Boom/Stick Option (HEX) 1

BOOM/STICK OPTION (HEX) 1	Boom 6400mm/Stick 2400mm	
MAX DIGGING DEPTH	21.7 ft in	6606 mm
MAX REACH ALONG GROUND	33 ft in	10050 mm
MAX CUTTING HEIGHT	31.5 ft in	9614 mm
MAX LOADING HEIGHT	21.8 ft in	6650 mm
MAX VERTICAL WALL DIGGING DEPTH	15.6 ft in	4755 mm

Boom/Stick Option (HEX) 2

BOOM/STICK OPTION (HEX) 2	Boom 6400mm/Stick 2660mm	
MAX DIGGING DEPTH	12.6 ft in	3850 mm
MAX REACH ALONG GROUND	34 ft in	10360 mm
MAX CUTTING HEIGHT	32.4 ft in	9870 mm
MAX LOADING HEIGHT	22.4 ft in	6830 mm
MAX VERTICAL WALL DIGGING DEPTH	18.4 ft in	5620 mm

Boom/Stick Option (HEX) 3

BOOM/STICK OPTION (HEX) 3	Boom 6400mm/Stick 3200mm	
MAX DIGGING DEPTH	24.2 ft in	7380 mm
MAX REACH ALONG GROUND	35.8 ft in	10900 mm
MAX CUTTING HEIGHT	33.6 ft in	10230 mm
MAX LOADING HEIGHT	23.4 ft in	7130 mm
MAX VERTICAL WALL DIGGING DEPTH	21.3 ft in	6480 mm

Dimensions

WIDTH TO OUTSIDE OF TRACKS	10.5 ft in	3190 mm
HEIGHT TO TOP OF CAB	10.3 ft in	3130 mm
GROUND CLEARANCE	1.6 ft in	500 mm
COUNTERWEIGHT CLEARANCE	3.8 ft in	1160 mm
TAIL SWING RADIUS	10.8 ft in	3300 mm
LENGTH OF TRACK ON GROUND	13.3 ft in	4050 mm