



TOYOTA

FUTURE SERVICES

inf e-s

TOYOTA
70

No.



TOYOTA

T
URE SER

info@future-ser



TOYOTA
70

1388

TOYOTA



TOYOTA

TOYOTA
70

TOYOTA



ENGINE POWERED FORKLIFT
7 F G U / 7 F D U
P N E U M A T I C T I R E
8,000 to 11,000 lbs. • *3,628 to 4,989 kg.*
S P E C I F I C A T I O N S



INDUSTRIAL EQUIPMENT 

8,000 to 11,000 lbs. 3,628 to 4,989 kg • Standard Equipment

SAFETY

- System of Active Stability (SAS)
 - Active control rear stabilizer
 - Active mast function controller
 - SAS operation monitor
 - SAS warning light and alarm
- Key lowering interlock
- Drift control system
- Double action parking brake
- Electric horn
- Neutral start safety switch
- Asbestos free components
- High visibility overhead guard
- Low noise emissions
- Adjustable front head lights and guards
- Front combination lights - includes clearance lights and turn signal
- High mount rear combination lights - includes brake, clearance back-up lights and turn signal
- Back up alarm

PERFORMANCE

- 4.3 litre, 262 cu. in., overhead valve (OHV) V-6 gasoline engine
- 5.2 litre, 318 cu. in., overhead valve (OHV) 6-cyl. diesel engine (15Z)
- Gasoline/LPG dual fuel system
- Planetary drive axle
- Centralized Hydraulic Power-assist System (CHPS)
 - Power brakes
 - Hydrostatic power steering
 - Hydraulic functions
- Hydraulic valve lifters (gasoline engine only)
- Automatic 2 speed transmission
 - 2 speed torque converter design
 - 2 speeds forward, 2 speeds reverse
- Class III hook carriage (8000, 9000 & 10,000 lb models only)
- Class IV hook carriage (11,000 lb model only)
- Electric governor (gasoline engine only)
- Hydraulic oil cooler (available on 8000-11,000 lb diesel engine models) (standard with 4-way valve)
- High-efficiency radiator
- Radiator lint screen
- 8-inch cyclone air cleaner with external air intake mounted high on the overhead guard (OHG)
- Sedimentor (water separator) and suction filter (diesel engine models only)
- Automatic choke (gasoline engine models only)
- Alternator w/ integrated circuitry regulator
- Sealed starter (except diesel engine models)
- Air cleaner discharge valve
- Torque converter with oil cooler
- Transistorized ignition assembly (gasoline engine models only)
- UL "G" gasoline model
- UL "D" diesel model
- Low maintenance battery
- 3-way hydraulic control valve
- Anti-restart ignition key switch
- Air cleaner discharge valve
- Rubber mounted radiator
- High capacity alternator (except LPS models)

OPERABILITY AND ERGONOMICS

- Strategically configured instrument display
- Integrated monitoring system
- Automatic fork leveling
- Memory tilt steering wheel
- Full hydrostatic power steering
- Two-spoke steering wheel
- Heavy duty non-slip floor mat
- Non-slip hand pad on engine hood
- Operator assist grip
- Wide entry steps
- Driver's 4-way adjustable ultra-comfort semi-suspension vinyl seat with adjustable lumbar support
- Large hood-mounted clipboard
- Dash integrated pen/pencil/cup holder
- Adjustable front headlights and guards
- Electronic shift control
- Integrated head light and turn signal lever
- Sealed closure engine hood with sound and heat insulation
- LPG fuel system with swing out LP tank bracket
- Fully oil charged lift cylinder (not available on FV mast)
- Wide view mast (V)
- Wide view carriage bars
- Load backrest extension
- Pendant-mounted pedals
- Independent brake & inching pedals
- Draw bar pin
- Rubber mounting for control valve
- Cowl mounted hydraulic control levers with rubber boot covers

SERVICEABILITY

- Easy access no-tools floorboard
- Fully opening steel engine hood with sound and heat insulation
- Engine hood assist damper with lock device
- Easy access fuse box panel
- Easy access radiator cover and lint screen
- Easy access engine air filter
- Low maintenance battery

OPTIONAL EQUIPMENT

- EZ pedal (foot directional control)
- Steel cab
- Canvas cab
- Engine protection system (except diesel engine models)
- Wide-view full free lift 2-stage mast (FV)
- Wide-view full free lift 3-stage mast (FSV)
- LPG fuel system with swing down tank bracket
- UL "LPS" model
- Class III hang on sideshifter (8000, 9000 & 10,000 lb models)
- Class IV hang on sideshifter (11,000 lb model only)
- LPG low-fuel warning light and alarm
- Keyless ignition switch
- Strobe light (yellow, clear, red or blue)
- Rear working light
- Rear view mirrors (left and right)
- Mast mounted headlights
- Upswept exhaust system
- 4-way hydraulic control valve
- Accumulator
- O.K. monitor
- Smart alarm
- Cloth suspension seat
- 3-way full suspension seat
- Anti-synching seat belt
- Pre-cleaner for air intake
- Box fin radiator
- Cooling fan booster (standard with 4-way valve)
- Sealed alternator (standard with LPS)
- Fire extinguisher
- Tapered forks
- Fully tapered and polished forks (FTP)
- Various load backrest extension heights
- Various carriage widths
- 3-way catalytic muffler system (LP only)
- Catalytic muffler (except with LPS models)
- Single brake pedal (standard with EZ pedal)
- Dual drive tires
- Front solid tires
- Rear solid tires
- Torque converter oil temp indicator
- Pencil/tape holder
- Operator compartment light
- Tilt cylinder boots

8,000 to 11,000 lbs. 3,628 to 4,989 kg • Specifications

Models		7FGU35	7FDU35	7FGU40	7FDU40	7FGU45	7FDU45	7FGU50	7FDU50
Load Capacity (with 24-in. load center)	lb. <i>kg</i>	8000 3628		9000 4082		10000 4536		11000 4989	
Body/Frame Construction		Welded steel body & frame							
Steering Type		Hydrostatic power steering							
Brakes		Hydraulic (foot)							
Transmission	Type	Powershift							
	Speed (forward/reverse)	2/2	2/2	2/2	2/2	2/2	2/2	2/2	2/2
Engine	Make/Model	GM 4.3L	15Z	GM 4.3L	15Z	GM 4.3L	15Z	GM 4.3L	15Z
	Type	6-cyl. OHV gasoline	6-cyl. OHV diesel	6-cyl. OHV gasoline	6-cyl. OHV diesel	6-cyl. OHV gasoline	6-cyl. OHV diesel	6-cyl. OHV gasoline	6-cyl. OHV diesel
Piston Displacement	cu. in. <i>cc.</i>	262 4293	318 5204	262 4293	318 5204	262 4293	318 5204	262 4293	318 5204
Rated Horsepower/r.p.m. Net	SAE HP <i>kW</i>	90/2350 68/2350	82/2200 60/2200	90/2350 68/2350	82/2200 60/2200	90/2350 68/2350	82/2200 60/2200	90/2350 68/2350	82/2200 60/2200
Rated Torque/r.p.m. Net	SAE ft.-lb. <i>N-m</i>	209/1200 283/1200	206/1800 280/1800	209/1200 283/1200	206/1800 280/1800	209/1200 283/1200	206/1800 280/1800	209/1200 283/1200	206/1800 280/1800

EXTERIOR DIMENSIONS

A	Maximum Fork Height (MFH)	in. <i>mm.</i>	120 3048	120 3048	120 3048	120 3048	120 3048	120 3048	120.5 3060	120.5 3060
B	Mast Lowered Height	in. <i>mm.</i>	83 2108	83 2108	83 2108	83 2108	86.5 2197	86.5 2197	96.5 2451	96.5 2451
C	Free Lift	in. <i>mm.</i>	4.3 109	4.3 109	4.3 109	4.3 109	4.5 114	4.5 114	4.7 119	4.7 119
D	Load Distance*	in. <i>mm.</i>	20.5 520	20.5 520	20.5 520	20.5 520	22.4 569	22.4 569	23 584	23 584
E	Wheelbase	in. <i>mm.</i>	72.4 1839	72.4 1839	72.4 1839	72.4 1839	78.7 1999	78.7 1999	78.7 1999	78.7 1999
F	Fork Size (TxWxL)	in. <i>mm.</i>	2x6x42 51x152x1066	2x6x42 51x152x1066	2x6x42 51x152x1066	2x6x42 51x152x1066	2x6x42 51x152x1066	2x6x42 51x152x1066	2.6x6x48 66x152x1219	2.6x6x48 66x152x1219
G	Length to Fork Face	in. <i>mm.</i>	115 2921	115 2921	117.1 2974	117.1 2974	123 3124	123 3124	125.4 3185	125.4 3185
H	Overhead Guard Height	in. <i>mm.</i>	86.2 2189	86.2 2189	86.2 2189	86.2 2189	90 2286	90 2286	90 2286	90 2286
I	Tilt Range (forward/backward)	deg.	6/12	6/12	6/12	6/12	6/12	6/12	6/12	6/12
J	Outside Turning Radius	in. <i>mm.</i>	101.8 2585	101.8 2585	104.3 2649	104.3 2649	108.3 2751	108.3 2751	110.2 2799	110.2 2799
K	Basic Right Angle Stacking Aisle Width**	in. <i>mm.</i>	122.2 3104	122.2 3104	124.8 3170	124.8 3170	130.7 3319	130.7 3319	133.2 3383	133.2 3383
L	Overall Width	in. <i>mm.</i>	53.1 1348	53.1 1348	53.1 1348	53.1 1348	57.1 1450	57.1 1450	57.1 1450	57.1 1450
M	Carriage Width	in. <i>mm.</i>	46.1 1171	46.1 1171	46.1 1171	46.1 1171	45.7 1160	45.7 1160	45.7 1160	45.7 1160
N	Tread Width	front/rear	Std.	in. <i>mm.</i>	43.9/43.3 1115/1100	43.9/43.3 1115/1100	43.9/43.3 1115/1100	43.9/43.3 1115/1100	45.3/43.3 1150/1100	45.3/43.3 1150/1100

PERFORMANCE DATA

Maximum Travel Speed	forward—full load	m.p.h. <i>km/h</i>	13.7 22	13.7 22	13.7 22	13.7 22	13.7 22	13.7 22	13.7 22	13.7 22
	reverse—full load	m.p.h. <i>km/h</i>	13.7 22	13.7 22	13.7 22	13.7 22	13.7 22	13.7 22	13.7 22	13.7 22
	forward—no load	m.p.h. <i>km/h</i>	15 24	15 24	15 24	15 24	15 24	15 24	15 24	15 24
	reverse—no load	m.p.h. <i>km/h</i>	15 24	15 24	15 24	15 24	15 24	15 24	15 24	15 24
Lift Speed (V Mast only)	full load	f.p.m. <i>mm/sec</i>	101 513	101 513	101 513	101 513	87.1 442	95 482	87.1 442	95 482
	no load	f.p.m. <i>mm/sec</i>	109 553	109 553	109 553	109 553	95 482	103 523	95 482	103 523
Lowering Speed (V Mast only)	full load	f.p.m. <i>mm/sec</i>	99 503	99 503	99 503	99 503	99 503	99 503	99 503	99 503
	no load	f.p.m. <i>mm/sec</i>	109 553	109 553	109 553	109 553	99 503	99 503	99 503	99 503
Maximum Drawbar Pull	full load	lb. <i>N</i>	7900 35,141	8350 37,142	7900 35,141	8350 37,142	7900 35,141	8350 37,142	7900 35,141	8350 37,142
	no load	lb. <i>N</i>	3090 13,745	3090 13,745	3090 13,745	3090 13,745	3750 16,680	3750 16,680	3970 17,659	3970 17,659
Maximum Gradeability	full load	%tan	42	43	38	39	34	35	31	32
	no load	%tan	22	21	19	19	22	22	22	22

UNDERCLEARANCE

Minimum with Load	in. <i>mm.</i>	4.7 119	4.7 119	4.7 119	4.7 119	4.7 119	4.7 119	4.7 119	4.7 119
Center of Wheelbase	in. <i>mm.</i>	7.5 190	7.5 190	7.5 190	7.5 190	8.3 210	8.3 210	8.3 210	8.3 210

TRUCK WEIGHTS

Gross Weight (empty)		lb. <i>kg</i>	12460 5652	12740 5779	13320 6042	13610 6173	14580 6613	14930 6772	15950 7235	16300 7394
Weight Distribution	front—full load	lb. <i>kg</i>	18160 8237	18200 8255	19550 8868	19600 8890	21940 9952	22070 10011	24300 11022	24430 11081
	rear—full load	lb. <i>kg</i>	2300 1043	2540 1152	2770 1256	3010 1365	2640 1197	2860 1297	2650 1202	2870 1302
	front—no load	lb. <i>kg</i>	5250 2381	5290 2400	5030 2282	5070 2300	6040 2740	6180 2803	6730 3053	6860 3112
	rear—no load	lb. <i>kg</i>	7210 3270	7450 3379	8290 3760	8540 3874	8540 3874	8750 3969	9220 4182	9440 4282

CAPACITY

Fuel Tank	US gal. <i>IM gal</i> <i>Litre</i>	27.7 23.1 105	27.7 23.1 105	27.7 23.1 105	27.7 23.1 105	31.7 26.4 120	31.7 26.4 120	31.7 26.4 120	31.7 26.4 120
-----------	------------------------------------	-----------------------------	-----------------------------	-----------------------------	-----------------------------	-----------------------------	-----------------------------	-----------------------------	-----------------------------

ATTACHMENT

Attachment Operating Hydraulic Pressure	p.s.i. <i>Mpa</i>	2630 18	2630 18	2630 18	2630 18	2630 18	2630 18	2630 18	2630 18
---	-------------------	----------------	----------------	----------------	----------------	----------------	----------------	----------------	----------------

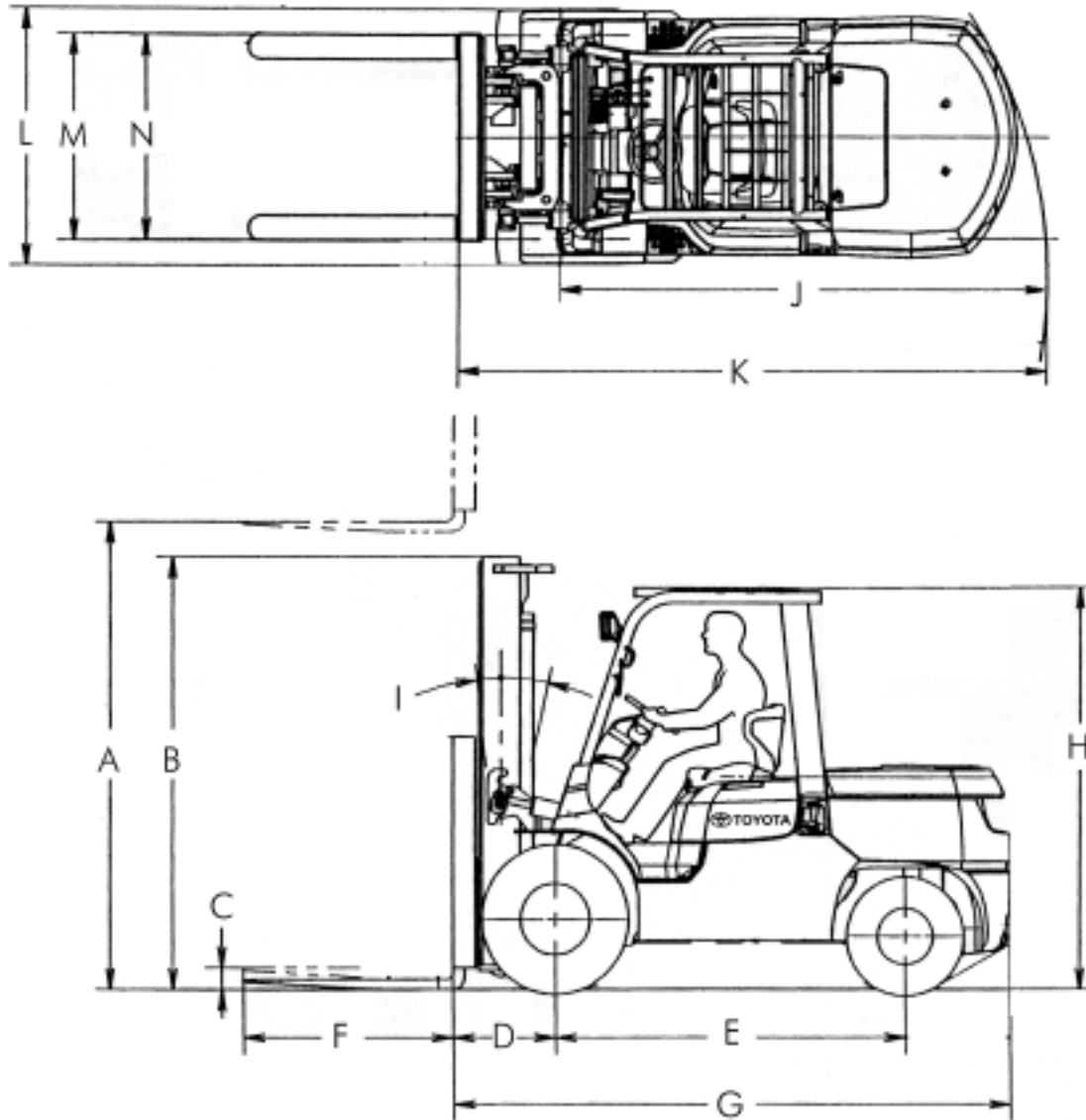
TIRES

Type (front/rear)		Pneumatic/Pneumatic	Pneumatic/Pneumatic	Pneumatic/Pneumatic	Pneumatic/Pneumatic
Numbers (front/rear)		2/2	2/2	2/2	2/2
Size	Drive <i>Front</i>	250-15-16PR (I)	250-15-16PR (I)	300-15-18PR (I)	300-15-18PR (I)
	Steer <i>Rear</i>	7.00-12-12PR (I)	7.00-12-12PR (I)	7.00-12-12PR (I)	7.00-12-14PR (I)

* Centerline of front axle to front face of forks.

** Add load length and clearance.

8,000 to 11,000 lbs. 3,628 to 4,989 kg • Mast Specifications



7FGU/7FDU35 AND 7FGU/7FDU40

Mast Type	Maximum Fork Height	Overall Height				Free Lift				7FGU/7FDU35				7FGU/7FDU40				
		Lowered	Extended		Without Load Backrest	With Standard Load Backrest	Tilt Range	Single Tire		Dual Tire		Tilt Range	Single Tire		Dual Tire			
			Without Load Backrest	With Standard Load Backrest				Load Capacity @ 24 in.	Load Capacity @ 24 in.	Load Capacity @ 24 in.	Load Capacity @ 24 in.							
			FWD	BWD				FWD	BWD	FWD	BWD		FWD	BWD				
in. mm	in. mm	in. mm	in. mm	in. mm	in. mm	deg.	deg.	lbs. kg	deg.	deg.	lbs. kg	deg.	deg.	lbs. kg	deg.	deg.	lbs. kg	
V	120 3048	83 2108	151.6 3851	168.1 4270	4.3 109	4.3 109	6 12	8000 3628	6 12	8000 3628	6 12	9000 4082	6 12	9000 4082	6 12	9000 4082	6 12	9000 4082
	131.5 3340	90.2 2291	163.4 4150	179.9 4569	4.3 109	4.3 109	6 12	8000 3628	6 12	8000 3628	6 12	9000 4082	6 12	9000 4082	6 12	9000 4082	6 12	9000 4082
	139.5 3543	94.1 2390	171.3 4351	187.8 4770	4.3 109	4.3 109	6 12	8000 3628	6 12	8000 3628	6 12	9000 4082	6 12	9000 4082	6 12	9000 4082	6 12	9000 4082
	147.5 3747	98 2489	179.1 4549	195.7 4971	4.3 109	4.3 109	6 12	8000 3628	6 12	8000 3628	6 12	9000 4082	6 12	9000 4082	6 12	9000 4082	6 12	9000 4082
	159 4039	107.9 2747	190.9 4849	207.5 5271	4.3 109	4.3 109	6 12	8000 3628	6 12	8000 3628	6 12	9000 4082	6 12	9000 4082	6 12	9000 4082	6 12	9000 4082
	179 4547	117.7 2990	210.6 5349	227.2 5771	4.3 109	4.3 109	6 12	8000 3628	6 12	8000 3628	6 12	9000 4082	6 12	9000 4082	6 12	9000 4082	6 12	9000 4082
FV	198.5 5042	127.6 3241	230.3 5850	246.9 6271	4.3 109	4.3 109	6 6	7800 3538	6 12	7800 3538	6 6	7940 3601	6 12	9000 4082	6 12	9000 4082	6 12	9000 4082
	218.5 5550	139.4 3541	250 6350	266.5 6769	4.3 109	4.3 109	6 6	6950 3152	6 12	7400 3358	6 6	6100 2767	6 12	8200 3719	6 12	8200 3719	6 12	8200 3719
	120 3048	83.1 2111	152.8 3881	168.1 4270	50.4 1280	35 889	6 12	8000 3628	6 12	8000 3628	6 12	9000 4082	6 12	9000 4082	6 12	9000 4082	6 12	9000 4082
FSV	131.5 3340	90.2 2291	164.6 4181	179.9 4569	57.5 1461	42.1 1069	6 12	8000 3628	6 12	8000 3628	6 12	9000 4082	6 12	9000 4082	6 12	9000 4082	6 12	9000 4082
	159 4039	78.4 1991	192.1 4879	207.5 5271	45.7 1161	30.3 770	6 6	8000 3628	6 6	8000 3628	6 6	9000 4082	6 6	9000 4082	6 6	9000 4082	6 6	9000 4082
	171 4343	83.1 2111	203.9 5179	219.3 5570	50.4 1280	35 889	6 6	8000 3628	6 6	8000 3628	6 6	9000 4082	6 6	9000 4082	6 6	9000 4082	6 6	9000 4082
	187 4750	90.2 2291	219.7 5580	235 5969	57.5 1461	42.1 1069	6 6	7700 3493	6 6	7700 3493	6 6	8800 3991	6 6	9000 4082	6 6	9000 4082	6 6	9000 4082
	198.5 5042	94.1 2390	231.5 5880	246.9 6271	61.4 1560	46.1 1171	6 6	7500 3402	6 6	7500 3402	6 6	7500 3402	6 6	9000 4082	6 6	9000 4082	6 6	9000 4082
	218.5 5550	100 2540	251.2 6380	266.5 6769	67.3 1709	52 1321	6 6	6200 2812	6 6	7250 3289	6 6	5730 2599	6 6	9000 4082	6 6	9000 4082	6 6	9000 4082
238 6045	107.9 2741	270.9 6881	286.2 7269	75.2 1910	59.8 1519	6 6	4600 2087	6 6	7050 3198	6 6	4520 2050	6 6	7280 3302	6 6	7280 3302	6 6	7280 3302	

Note: Height of standard load backrest extension is 48 in. / 1220 mm

8,000 to 11,000 lbs. 3,628 to 4,989 kg • Mast Specifications

7FGU/7FDU45

Mast Type	Maximum Fork Height	Overall Height				Free Lift		Single Tire			Dual Tire		
		Lowered	Extended		Without Load Backrest	With Standard Load Backrest	Tilt Range		Load Capacity @ 24 in. Load Center	Tilt Range		Load Capacity @ 24 in. Load Center	
			Without Load Backrest	With Standard Load Backrest			FWD	BWD		FWD	BWD		
			in. mm	in. mm			deg.	deg.		deg.	deg.		lbs. kg
V	120 3048	86.6 2200	146.7 3726	168.1 4270	4.3 109	4.3 109	6	12	10000 4536	6	12	10000 4536	
	131.5 3340	92.5 2350	158.5 4026	179.9 4569	4.3 109	4.3 109	6	12	10000 4536	6	12	10000 4536	
	139.5 3543	96.5 2451	166.3 4224	187.8 4770	4.3 109	4.3 109	6	12	10000 4536	6	12	10000 4536	
	147.5 3747	102.4 2601	174.2 4425	195.7 4971	4.3 109	4.3 109	6	12	10000 4536	6	12	10000 4536	
	159 4039	110.2 2799	186 4724	207.5 5271	4.3 109	4.3 109	6	12	10000 4536	6	12	10000 4536	
	179 4547	120.1 3051	205.7 5225	227.2 5771	4.3 109	4.3 109	6	6	10000 4536	6	12	10000 4536	
	198.5 5042	129.9 3299	225.4 5725	246.9 6271	4.3 109	4.3 109	6	6	8850 4014	6	12	9750 4423	
218.5 5550	139.8 3551	245.1 6226	266.5 6769	4.3 109	4.3 109	6	6	6200 2812	6	12	8850 3992		
FV	120 3048	86.6 2200	147.2 3739	168.1 4270	59.5 1511	38.6 980	6	12	10000 4536	6	12	10000 4536	
	131.5 3340	92.5 2350	159.1 4041	179.9 4569	65.4 1661	44.5 1130	6	12	10000 4536	6	12	10000 4536	
FSV	159 4039	83.5 2121	186.8 4745	207.5 5271	56.3 1430	35.4 899	6	6	10000 4536	6	6	10000 4536	
	171 4343	86.6 2200	198.6 5044	219.3 5570	59.5 1511	38.6 980	6	6	9750 4423	6	6	9750 4423	
	187 4750	92.5 2350	214.4 5446	235 5969	65.4 1661	44.5 1130	6	6	9300 4218	6	6	9700 4400	
	198.5 5042	96.5 2451	226.2 5745	246.9 6271	69.3 1760	48.4 1229	6	6	8800 3992	6	6	9450 4286	
	218.5 5550	102.4 2601	245.9 6246	266.5 6769	75.2 1910	54.3 1379	6	6	6650 3016	6	6	9000 4082	
	238 6045	110.2 2799	265.6 6746	286.2 7269	83.1 2111	62.2 1580	6	6	5150 2336	6	6	8600 3901	

Note: Height of standard load backrest extension is 48 in. / 1220 mm

7FGAU/7FDAU50

Mast Type	Maximum Fork Height	Overall Height				Free Lift		Single Tire			Dual Tire		
		Lowered	Extended		Without Load Backrest	With Standard Load Backrest	Tilt Range		Load Capacity @ 24 in. Load Center	Tilt Range		Load Capacity @ 24 in. Load Center	
			Without Load Backrest	With Standard Load Backrest			FWD	BWD		FWD	BWD		
			in. mm	in. mm			deg.	deg.		deg.	deg.		lbs. kg
V	120.5 3061	96.5 2451	153.7 3904	174.6 4435	4.9 124	4.9 124	6	12	11000 4989	6	12	11000 4989	
	132 3353	102.4 2601	165.6 4206	186.4 4735	4.9 124	4.9 124	6	12	11000 4989	6	12	11000 4989	
	140 3556	110.2 2799	173.4 4404	194.3 4935	4.9 124	4.9 124	6	12	11000 4989	6	12	11000 4989	
	148 3759	110.2 2799	181.3 4605	202.2 5136	4.9 124	4.9 124	6	12	11000 4989	6	12	11000 4989	
	159.5 4051	120.1 3051	193.1 4905	214 5436	4.9 124	4.9 124	6	12	11000 4989	6	12	11000 4989	
	179.5 4559	129.9 3299	212.8 5405	233.7 5936	4.9 124	4.9 124	6	6	11000 4989	6	12	11000 4989	
	199 5055	139.8 3551	232.5 5906	253.4 6436	4.9 124	4.9 124	6	6	9000 4082	6	12	10600 4808	
FSV	159.5 4051	89.4 2271	194.3 4935	214 5436	55.1 1400	35.4 899	6	6	10800 4899	6	6	10800 4899	
	171.5 4356	92.5 2350	206.1 5235	225.8 5735	58.3 1481	38.6 980	6	6	10600 4808	6	6	10600 4808	
	187.5 4763	96.5 2451	221.9 5636	241.5 6134	62.2 1580	42.5 1080	6	6	9500 4309	6	6	10200 4627	
	199 5055	102.4 2601	233.7 5936	253.4 6436	68.1 1730	48.4 1229	6	6	9000 4082	6	6	10000 4536	
	219 5563	110.2 2799	253.4 6436	273 6934	76 1930	56.3 1430	6	6	6800 3084	6	6	9500 4309	
	238.5 6058	120.1 3051	273 6934	292.7 7435	85.8 2179	66.1 1679	6	6	5300 2404	6	6	9000 4082	

Note: Height of standard load backrest extension is 54 in. / 1372 mm



Virtually all Toyota 6-Series lift trucks sold in North America are manufactured and assembled at our state-of-the-art manufacturing facility in Columbus, Indiana. Toyota Industrial Equipment Manufacturing (TIEM) has attained ISO 14001 certification for environmental compliance and ISO 9001 for quality management excellence.



TOYOTA CANADA INC. (TCI) has received ISO 14001 certification for its Toronto, Ontario based head office facilities and parts distribution centre. This internationally recognized certification illustrates Toyota's global commitment to protecting the environment.

Established in 1970, Toyota Canada Inc., Industrial Equipment Division (TCI-IED), headquartered in Toronto, Ontario, is the only major lift truck supplier to have a head office and parts distribution centre in Canada dedicated to supporting the Canadian market.

Toyota's commitment to customer service extends nationwide. Thirty-two authorized Toyota Industrial Equipment Dealer facilities located throughout Canada offer comprehensive customer support including one-stop shopping for lift trucks, genuine Toyota parts and Toyota University accredited service technicians.

Not only is Toyota committed to Canada, but is proud of its overall commitment to North America, which includes:

- Direct North American employment: 38,041
- Direct North American Investment: CDN \$20.3 B

We are committed to supporting our products, and most importantly, our customers.

For more information contact your local authorized Toyota Industrial Equipment dealer, fax Toyota direct at **1-800-592-3851**, or visit the Toyota Industrial Equipment web site at **www.forklift.toyota.ca**.

Some product features here-in are optional. Please contact your dealer for specifications.

Details of specifications are based on information available at time of printing and may change without notice.



ISO 14001

TOYOTA CANADA INC.

March 2008

7FGDU-350ES-25