

## Model

# 450 Series II

## ARTICULATING BOOM LIFTS

### Features

**Articulating Jib**  
(450AJ only) 4 ft 1 in. (1.24 m)

**Platform**  
Side Entry 30 x 72 in. (0.76 x 1.83 m)

**Inward Self-Closing Swinging Gate**  
**180 Degree Hydraulic Platform Rotator**  
**Platform Console Machine Status Light Panel\***  
**110V-AC Receptacle in the Platform**  
**5 Degree Tilt Alarm/Indicator Light**  
**Rim Protector Lug Tread Tires**  
**Swing Out Engine Module**  
**Gull-wing Turntable Hoods**  
**12V-DC Auxiliary Power**  
**Hourmeter**  
**Hydrostatic Drive**  
**Proportional Controls**  
**Control ADE® System**  
**Lifting/Tie Down Lugs**  
**Horn**  
**Oscillating Axle**  
**Aluminum Cast Control Box**  
**Operator Tool Tray**  
**Motion Alarm**

\* Provides indicator lights at platform control console for system distress, low fuel, 5 degree tilt light, and foot switch status

### Accessories & Options

**30 x 60 in. (0.76 x 1.52 m) Platform**  
**Mesh to Top Rail—Bolt-on Aluminum**  
**1/2 in. Air Line to Platform**  
**Soft Touch System**  
**12 x 16.5 Lug Tread Tires**  
**Foam-Filled Tires**  
**Non-Marking Tires**  
**Exhaust Purifier Muffler (Deutz)**  
**2500W Generator**  
**Flashing Amber Beacon**  
**43.5 lb (19.73 kg) Propane Tank**  
**Cold Weather Kit<sup>1</sup>**  
**Hostile Environment Kit<sup>2</sup>**  
**Arctic Package<sup>3</sup>**  
**Semi-Trak**  
**Light Package**  
**Platform Worklights**

#### Accessories

**SkyPower® Package**—Includes 7500W generator, power cable to platform, and 1/2 in. air line to platform.

**SkyWelder® Package**—Includes SkyPower® Package, 280-Amp Miller® welder in the platform, leads, clamp and stinger.

**SkyCutter® Package**—Includes SkyPower® and Miller Plasma Cutter mounted in platform.

1. Includes battery blanket, hydraulic tank heater, block heater (Ford and CAT), glow plugs (Deutz and CAT)
2. Includes boom wipers, cylinder bellows and console cover.
3. Includes arctic hydraulic hoses (drive and steer only) and main boom cable, arctic hydraulic oil, extreme cold engine oil, anti-freeze (CAT only), fuel conditioner, engine block heater, battery blanket, glow plugs, hydraulic tank heater, and oversized footswitch.

Note: Some options may increase lead time, and some option combinations may not be available.



### Increased Productivity

- Larger work envelope on jib and non-jib models
- Standard articulating jib on the 450AJ increases access in confined spaces
- Improved rough terrain capabilities with 45% gradeability
- Industry leading duty cycles

### Enhanced Control

- Exclusive Control ADE® (Advanced Design Electronics) system for better performance with improved serviceability
- Common control system to other JLG combustion-powered boom lifts for reduced training
- Provides better fuel efficiency to lower costs and increase uptime

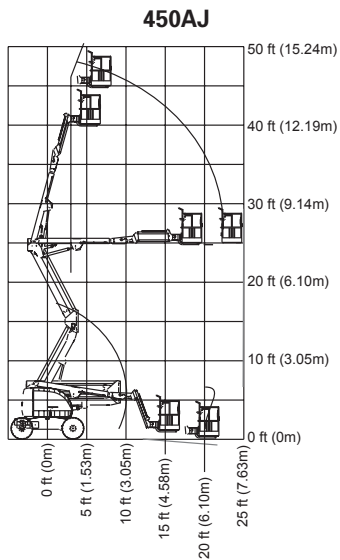
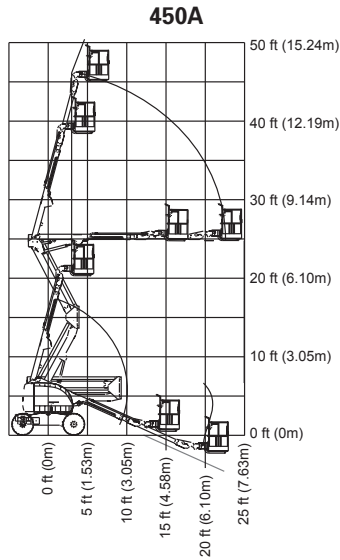
### Improved Maintainability

- Enhanced electrical and hydraulic systems minimize wiring and hoses, reducing wear and maintenance
- Control ADE system minimizes the number of wires and connections

# Model 450 Series II

## ARTICULATING BOOM LIFTS

### Specifications



#### Reach

|                     |  |
|---------------------|--|
| Platform Height     | 45 ft (13.72 m)                                      |
| Horizontal Outreach | 24 ft 6 in. (7.47 m)                                 |
| Up and Over Height  | 25 ft 2 in. (7.67 m)                                 |
| Swing               | 360 Degrees Non-Continuous                           |
| Platform Capacity   | 500 lb (227 kg)                                      |
| Unrestricted        |  |
| Platform Rotator    | 180 Degrees Hydraulic Jib<br>(Range of Articulation) |
| 450AJ Only          | 4 ft 1 in. (1.24 m)<br>145 Degrees (+78, -67)        |

#### Dimensions

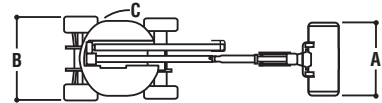
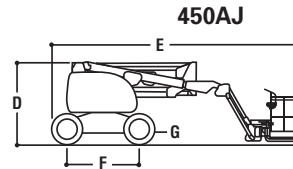
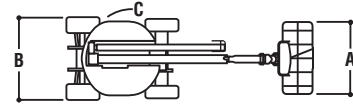
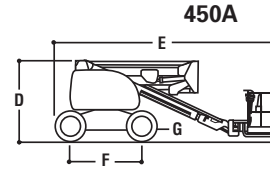
|                                  |                                   |
|----------------------------------|-----------------------------------|
| A. Platform Size                 | 30 x 72 in. (0.76 x 1.83 m)       |
| B. Overall Width                 | 6 ft 10 in. (2.08 m)              |
| C. Tailswing (working condition) | Zero                              |
| D. Stowed Height                 | 7 ft 5 in. (2.26 m)               |
| E. Stowed Length                 | 21 ft 5 in. (6.53 m)              |
| F. Wheelbase                     | 6 ft 6 in. (1.98 m)               |
| G. Ground Clearance              | 14 in. (36 cm)                    |
| Weight                           |                                   |
| 450A                             | 14,500 lb (6,577 kg)              |
| 450AJ                            | 16,500 lb (7,484 kg)              |
| Max. Ground Bearing Pressure     |                                   |
| 450A                             | 35 psi (2.46 kg/cm <sup>2</sup> ) |
| 450AJ                            | 36 psi (2.53 kg/cm <sup>2</sup> ) |

#### Chassis

|                                 |                                  |
|---------------------------------|----------------------------------|
| Drive Speed 2WD                 | 3.5 mph (5.6 kmph)               |
| Drive Speed 4WD                 | 4.5 mph (7.2 kmph)               |
| Gradeability 2WD                | 30%                              |
| Gradeability 4WD                | 45%                              |
| Tires                           | 33/1550 x 16.5 Superwide         |
| Axle Oscillation                | 8 in. (20.3 cm)                  |
| Turning Radius (Inside/Outside) | 5 ft 8 in./14 ft (1.73 m/4.27 m) |

#### Power Source

|                     |                    |
|---------------------|--------------------|
| Dual Fuel Engine    |                    |
| GM Vortec 3000 MPFI | 82 hp (61 kW)      |
| Diesel Engine       |                    |
| Deutz F3M1011       | 47 hp (35 kW)      |
| Diesel Engine       |                    |
| Caterpillar C2.2    | 50 hp (37.2 kW)    |
| Fuel Tank Capacity  | 16.5 gal. (62.5 L) |
| Hydraulic Reservoir | 30 gal. (113.6 L)  |
| Auxiliary Power     | 12V DC             |



### The JLG "2 & 5" Warranty

JLG Industries, Inc. backs our 450 Series II boom lifts with our exclusive "2 & 5" Warranty. We provide coverage for two (2) full years, and cover all specified major structural components for five (5) years. These machines meet or exceed applicable OSHA Regulations in 29 CFR 1910.67, 29 CFR 1926.453, ANSI A92.5-2006 and CSA standard B354.4-02 as originally manufactured for intended applications. We reserve the right to make price, specification, and/or equipment changes without prior notification. All prices are in U.S. dollars, ex-works McCallsburg, PA.



#### JLG Industries, Inc.

An Oshkosh Truck Corporation Company  
1 JLG Drive  
McCallsburg, PA 17233-9533  
Telephone 717-485-5161  
Toll-free in US 877-JLG-LIFT  
Fax 717-485-6417  
[www.jlg.com](http://www.jlg.com)



## JLG 450 SERIES

- Choice of models with up to a 15.5 m working height
- Fast boom and drive speeds improve work productivity
- Multiple simultaneous boom functions get you to the job quicker
- Proportional controls achieve smoother movement for operator comfort
- Excellent manoeuvrability for positioning of machine and platform
- Handle the roughest terrain with increased engine power

For more details check the JLG Technical Specification Guide or ask your local JLG representative.



### Oscillating axle option for tough travel

Provides increased traction when travelling.



### Easy to follow layout of controls

Console designed for ease of use and rapid positioning control.



### Semi-track Option with Floating idler

Assists when travelling through mud, sand and snow.



### Operator's Tool Tray

Provides a handy storage area for tools, fasteners and other work materials.



### Articulating Jib\*

Allows for greater versatility when positioning the platform around obstacles.

\* Model 450AJ only.



### Operator's Tool Tray

Provides a handy storage area for tools, fasteners and other work materials.

### JLGEUROPE

JLG Industries (Europe), A Division of JLG Industries, Inc.  
Kilmartin Place, Tannochside Park,  
Uddingston, G71 5PH, Scotland.  
Tel: 01698 811005  
Fax: 01698 811055

[www.jlg.com](http://www.jlg.com)

